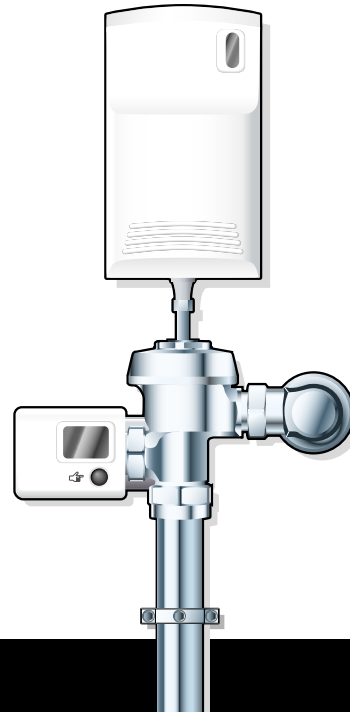


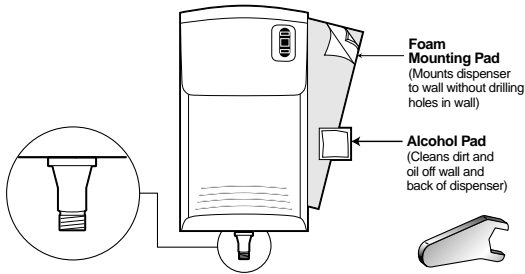
# AutoClean™ Dispenser

Top-Mount Installation  
Side-Mount (see reverse side)



COMPONENTS

Automatic Cleaning Dispenser



**Open End Wrench**  
(Use to tighten Retro Elbow and compression nuts)



**Cabinet Key**  
(Prevents tampering with dispenser)



**Screws & Anchors**  
(Optional method of mounting dispenser to wall)



PVC washer  
Compression nut

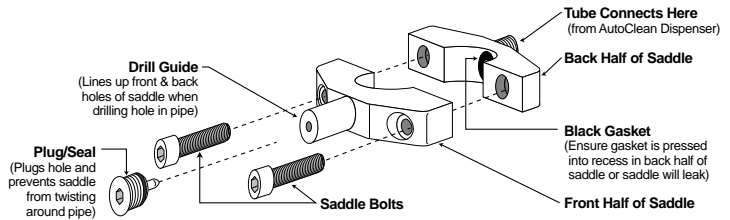
**Retro Elbow**  
Converts dispenser for side mount configuration

12-1/2" Stainless Steel Tube



## Drill-Thru Saddle Connection Kit (Separate Component Based on Pipe Size)

• 3/4" for Urinals; • 1-1/4" for Urinals; • 1-1/2" for Toilets;



Insert into drill up to this mark.

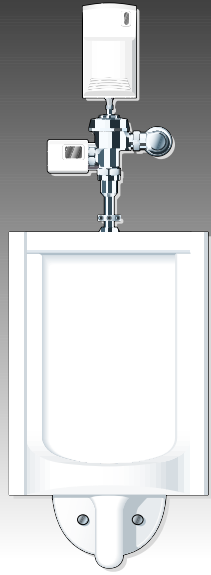


**Hex Key Wrench**  
(Use to tighten saddle bolts)

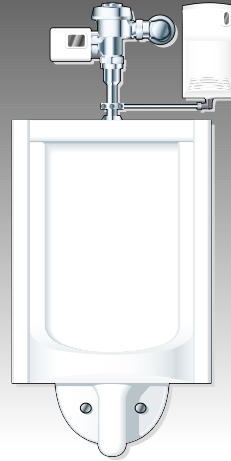
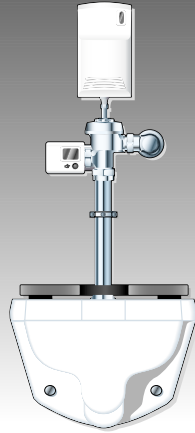


Delivery Tube

# Choose A Configuration



Top Mount  
(this side)



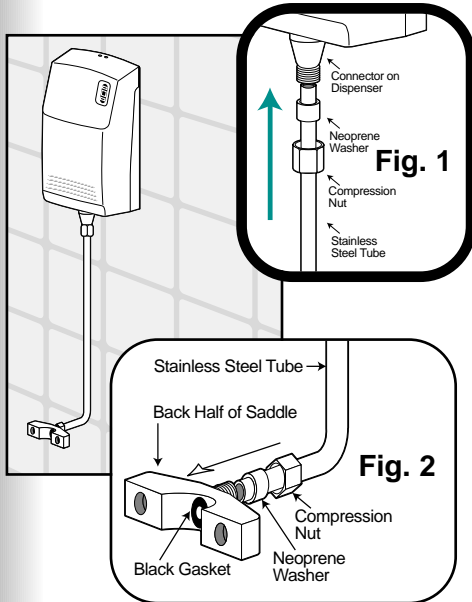
Side Mount  
(see other side)



## Begin Top-Mount Installation

### STEP #1

Clean the wall (see Fig. 3) with the alcohol pad, and dry completely with cloth.



### STEP #2

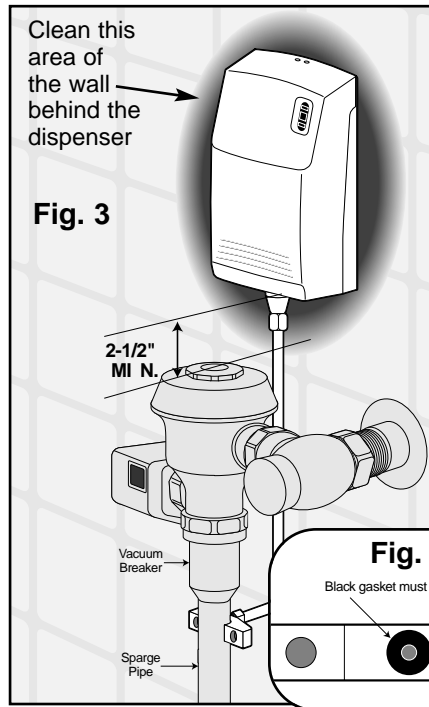
Peel one side only of backing paper on the foam mounting pad and place onto the backside of the AutoClean™ Dispenser.

### STEP #3

Attach the long side of the stainless steel tube to the AutoClean™ dispenser. Insert the end completely into fitting and hand-tighten the compression nut (Fig. 1).

### STEP #4

Attach back half of the saddle to the short side of stainless steel tube and hand-tighten the compression nut (Fig. 2).

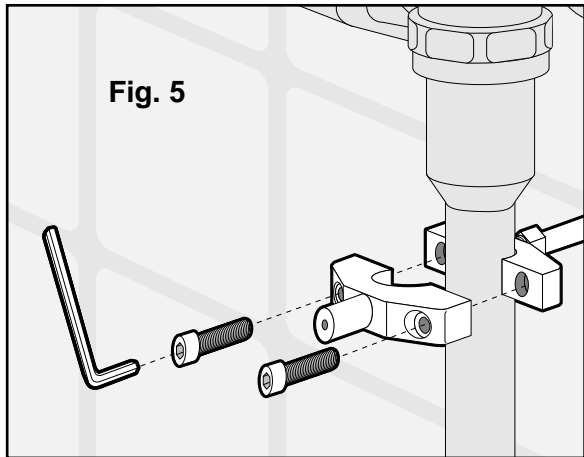


### STEP #5

Position the AutoClean™ Dispenser 2-1/2" above the flush valve (Fig. 3). (Ensure black gasket is in place on back half of saddle, Fig. 4).

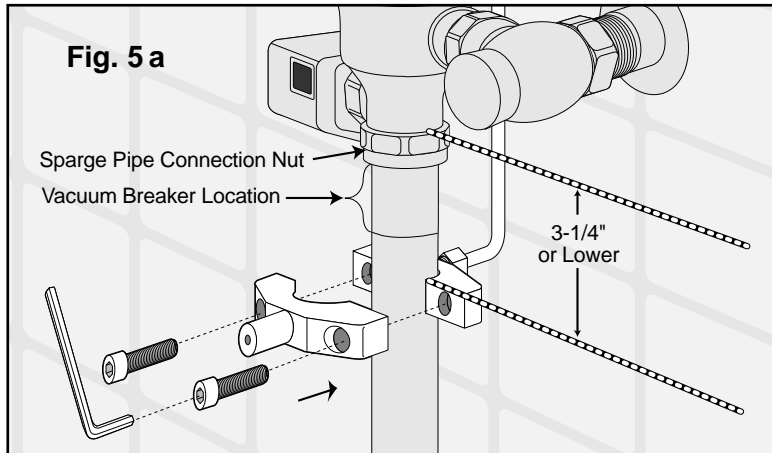
## STEP #6 POSITION SADDLE

For 3/4" & 1-1/4" Sparge Pipe Size



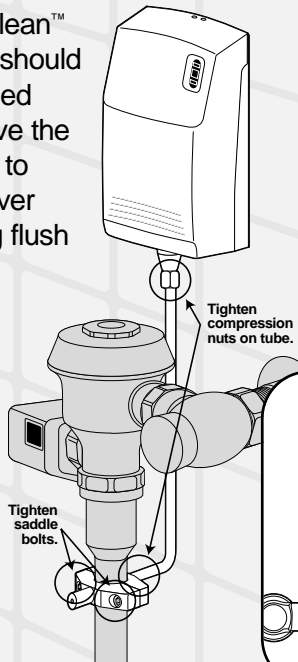
Place front half of saddle around sparge pipe. Line up holes with back half of saddle and insert the two saddle bolts (Fig. 5).

For 1-1/2" Sparge Pipe Size



For 1-1/2" sparge pipe connection, position saddle at least 3-1/4" below sparge pipe connection nut to avoid puncturing the vacuum breaker (Fig 5a).

The AutoClean™ Dispenser should be positioned 2-1/2" above the flush valve to prevent cover from hitting flush valve cap.



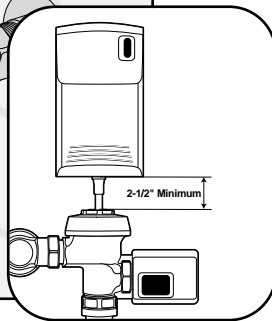
**Fig. 6**

## **STEP #7**

Remove paper backing from the foam pad and firmly press the dispenser against the wall, for 1 minute (2-1/2" above flush valve cap).

\* note screws & anchors are also included for use where tape is inappropriate.

With dispenser firmly mounted, securely tighten the 2 tube compression nuts and 2 saddle bolts (Fig. 6).



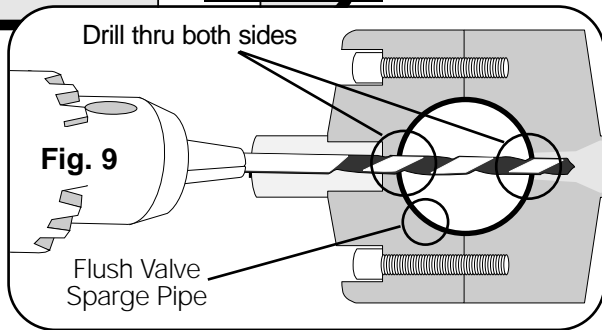
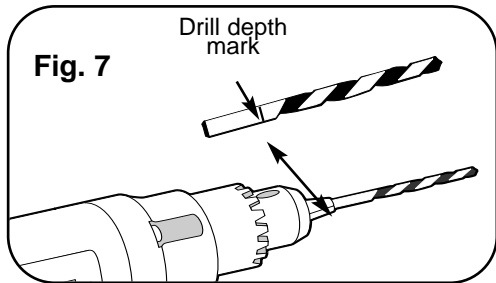
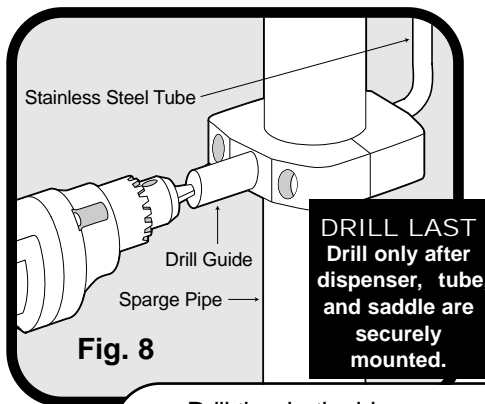
## STEP #8

Insert the drill bit into drill chuck up to mark and tighten drill chuck (Fig. 7).

Insert drill bit into the drill bit guide on the saddle and drill thru both sides of the sparge pipe (Fig. 8 & 9).

Clean out the drilled pathway by repeating the drill motion back and forth a few times.

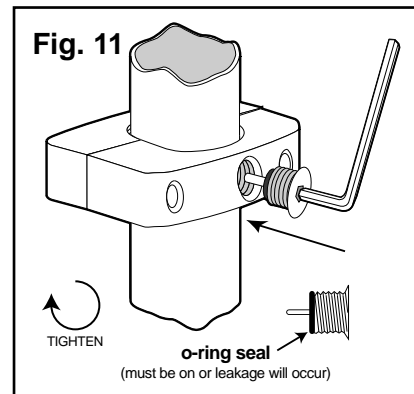
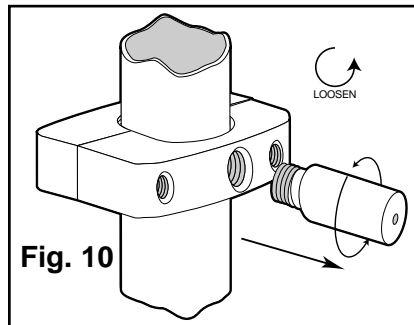
Use the drill bit supplied in the kit for one installation only.



## STEP #9

Remove the drill bit guide from the saddle connection (Fig. 10).

Install the plug/seal where the drill bit guide was removed and firmly tighten with the hex key wrench (Fig. 11).

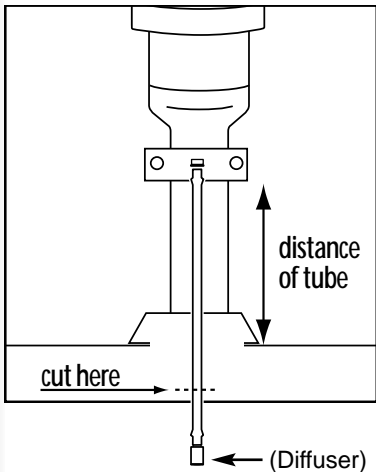


Some local plumbing codes require the use of the delivery tube.



### STEP #1

Measure & cut the tube to size.  
Replace diffuser after cutting.

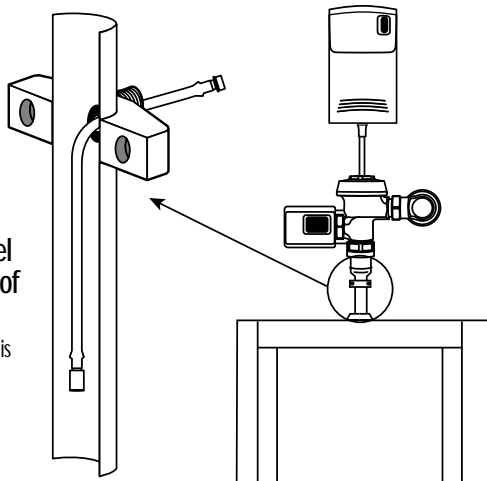


### STEP #2

Detach the stainless steel tube from the back half of the saddle. If the distance between the flush pipe & the wall is less than 1 3/4" you will have to loosen the pipe with a wrench & rotate it for access.

### STEP #3

Lube the delivery tube with soap. This will help the tube slide down the flush pipe.



### STEP #4

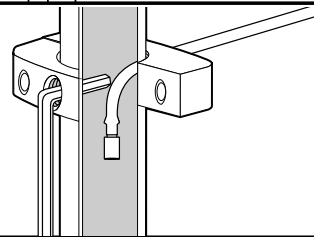
Using the weighted liquid diffuser, guide the delivery tube through the back half of the saddle and all the way down the flush pipe.

### STEP #5

Re-attach the stainless steel tube to the back half of the saddle. This will push the nipple and o-ring into the saddle.

### Helpful Hint

On 3/4" pipe size, remove the plug on the front & use the hex key wrench to aid in turning drip tube down the pipe.

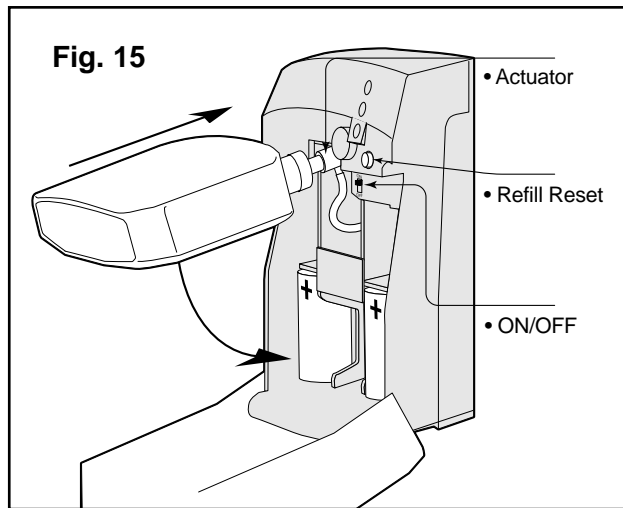
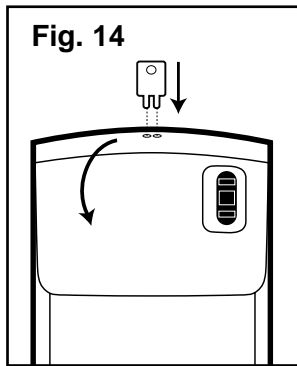


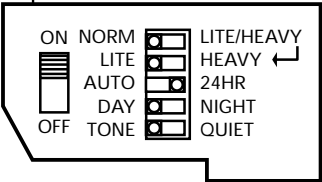
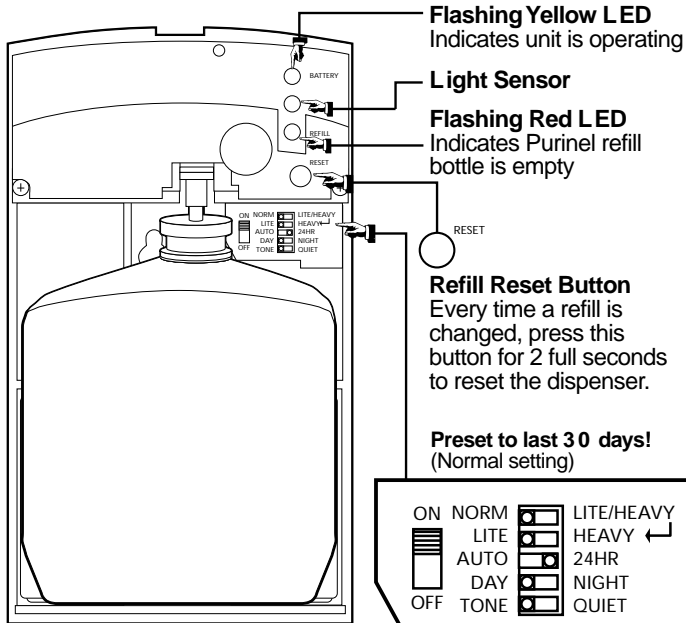
## STEP #10

To open dispenser cover, insert cabinet key and push key down, pulling cover forward and down (Fig. 14).

Next (Fig. 15):

1. Load batteries.
2. Rotate actuator with hole facing out.
3. Insert pump tip into actuator opening. Push refill firmly into actuator, setting the actuator seal. Rotate the refill into position, maintaining forward pressure.
4. Turn the Automatic Cleaning Dispenser ON & OFF 6 times to prime refill bottle. After priming leave dispenser "ON"
5. Press red refill reset button for 2 full seconds and close the cover.





**Normal**  
Dispenses formulation every 14 minutes. Refills last 30 days on Normal and 24 hour setting.



**Auto/24 Hr**  
**Auto:** Dispenser operates in selected day or night setting  
**24 Hr:** Dispenser operates 24 hours a day



**Heavy**  
Dispenses formulation every 7 minutes. Refills last 15 days on Heavy and 24 hour setting.



**Day/Night**  
When in auto mode:  
**Day:** Dispenser operates when lights are on.  
**Night:** Dispenser operates when lights are off.



**Lite**  
Dispenses formulation every 28 minutes. Refills last 60 days on Lite and 24 hour setting.



**Tone/Quiet**  
TONE adds different audio signals to reinforce visual signals, notifying when to change refills & batteries.