

RD0027 Twin 9" Jumbo Tissue Dispenser



RD0027

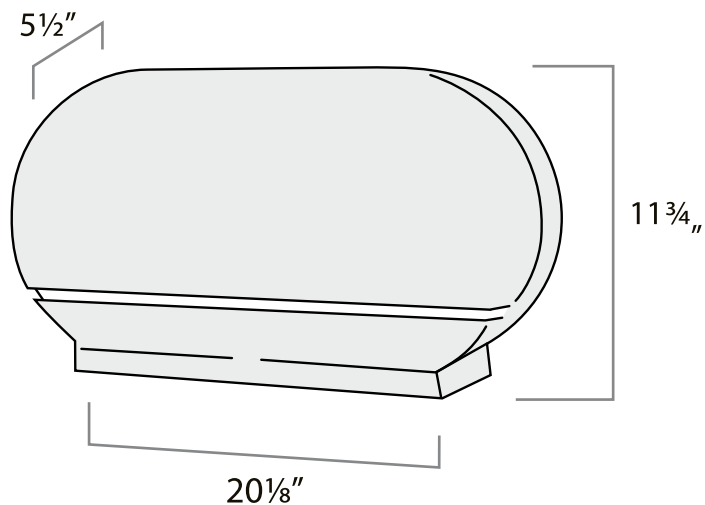
RD0027 Twin 9" Jumbo Tissue Dispenser

Description

- Universal paper up to 9" Jumbo Roll Tissue with a 3 $\frac{3}{8}$ " core
- Double-latch lock prevents theft and waste
- Tissue is completely covered for maximum hygiene
- Translucent covers enable easy detection of a low paper supply
- Sliding panel ensures use of only one roll at a time
- Easy to load



RD0027-02



Also Available in the following:



RD0027-09



RD0027-01



RD0027-03

Specifications

- Capacity: two 9" jumbo rolls (3 $\frac{3}{8}$ " core)
- Model: RD0027
- Case weight: 18 lbs.
- Dimensions: 20 $\frac{1}{2}$ "X 5 $\frac{3}{8}$ "X 11 $\frac{3}{4}$ "
- Key type: 1
- Case pk: 4

RD0027